

**LAVATOIO PENTOLE  
SOAKING SINK UNIT**

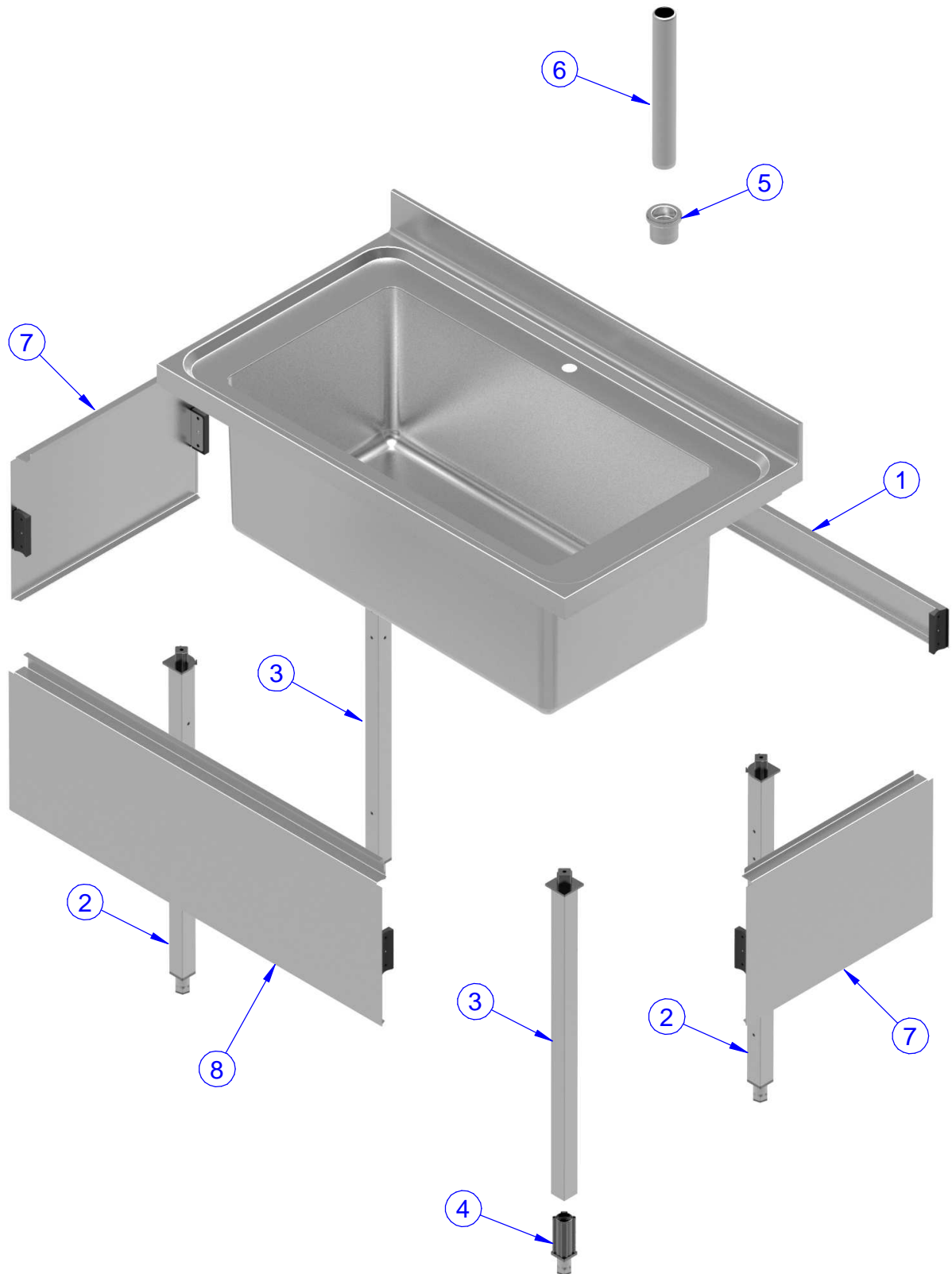
---

PNC	MODEL	L = mm	H = mm	REF	PNC	MODEL	L = mm	H = mm	REF
132814	VLP1201SPN	1200	900	a	132908	SLP10N	1000	900	d
132815	VLP1401SPN	1400	900	b	132909	SLP12N	1200	900	e
132816	VLP1802SPN	1800	900	c	132910	SLP14N	1400	900	f
					132912	SLP16N	1600	900	g
					132913	SLP216N	1600	900	h
					132914	SLP218N	1800	900	i

Pag.	Indice	Index
2	Disegni	Drawings
3	Lista ricambi	Spare parts list

**Brand / Marchio:** STD - EB

LAVATOIO PENTOLE  
SOAKING SINK UNIT



# LAVATOIO PENTOLE SOAKING SINK UNIT

POS	( x ) Valido dal Seriale 908xxx To be used from S/N 908xxx	COD	DESCRIZIONE	DESCRIPTION	Alias code	NOTES/REF.
1		OPE956	Traversa posteriore 1000 EB	Traversa posteriore 1000 EB	21270A023	d
1		OPEA94	Traversa posteriore 1200 STD	Traversa posteriore 1200 STD	21270A037	a
1		OPE957	Traversa posteriore 1200 EB	Traversa posteriore 1200 EB	21270A027	e
1		OPEA95	Traversa posteriore 1400 STD	Traversa posteriore 1400 STD	21270A036	b
1		OPE958	Traversa posteriore 1400 EB	Traversa posteriore 1400 EB	21270A022	f
1		OPE959	Traversa posteriore 1600 EB	Traversa posteriore 1600 EB	21270A004	g,h
1		OPEA96	Traversa posteriore 1800 STD	Traversa posteriore 1800 STD	21270A040	c
1		OPE960	Traversa posteriore 1800 EB	Traversa posteriore 1800 EB	21270A024	i
2		OPEA48	Gamba 900 SX Lavelli	Leg 900 Left Sink unit	254000221	a,b,c,d,e,f,g,h,i
3		OPEA49	Gamba 900 DX Lavelli	Leg 900 Right Sink unit	254000220	a,b,c,d,e,f,g,h,i
4		OPEA26	Piedino inox/nylon 40x40 H100	Feet inox/nylon 40x40 H100	400688001	a,b,c,d,e,f,g,h,i
5		OPEA80	Piletta 1"1/12	Piletta 1"1/12	100100016	d,e,f,g,h,i
5		OPEB29	Piletta 2"	Piletta 2"	100100159	a,b,c
6		OPEA81	Troppo pieno 380	Troppo pieno 380	100100015	a,b,c,d,e,f,g,h,i
6A	x		Troppo pieno 330	Troppo pieno 330	100100014	
7		OPEA37	Pannello Laterale 700 STD LAV.P.	SOAK S. Lateral Pannel 700 STD	21270A071	a,b,c
7A	x				2127AA071	
7		OPE970	Pannello Laterale 700 EB LAV.P.	SOAK S. Lateral Pannel 700 EB	21270A043	d,e,f,g,h,i
7A	x				2127AA043	
8		OPE971	Pannello Frontale 1000 EB LAV.P.	SOAK S. Frontal Pannel 1000 EB	21270A048	d
8A	x				2127AA048	
8		OPEA38	Pannello Frontale 1200 STD LAV.P.	SOAK S. Frontal Pannel 1200 STD	21270A074	a
8A	x				2127AA074	
8		OPE972	Pannello Frontale 1200 EB LAV.P.	SOAK S. Frontal Pannel 1200 EB	21270A047	e
8A	x				2127AA047	
8		OPEA39	Pannello Frontale 1400 STD LAV.P.	SOAK S. Frontal Pannel 1400 STD	21270A073	b
8A	x				2127AA073	
8		OPE973	Pannello Frontale 1400 EB LAV.P.	SOAK S. Frontal Pannel 1400 EB	21270A046	f
8A	x				2127AA046	
8		OPE974	Pannello Frontale 1600 EB LAV.P.	SOAK S. Frontal Pannel 1600 EB	21270A045	g,h
8A	x				2127AA045	
8		OPEA40	Pannello Frontale 1800 STD LAV.P.	SOAK S. Frontal Pannel 1800 STD	21270A076	c
8A	x				2127AA076	
8		OPE975	Pannello Frontale 1800 EB LAV.P.	SOAK S. Lateral Pannel 1800 EB	21270A059	i
8A	x				2127AA059	